



Butler INFO



No.18_2017_COM

Rolo, 22nd September 2017

NEW S-SERIES TYRE CHANGERS

Dear Butler Partner,
We are proud to inform you that after a successful launch at the 2017 Autopromotec Exhibition, we are now pleased to announce the start of production of the new range of Table Top Tyre changers "S" series.

The "S" series is now available for models:

HP441S

HP641S

HP643S

During the development process of the new "S" Series, our **R&D** team has focused on extensive market requirements research, using continuous feedback from the most professional field users.

Thanks to this important research, many important improvements were applied in order to deliver the best ergonomic and user friendly machines of this segment.

In the pages below, please find a general introduction to their new technical features.

Page1/5

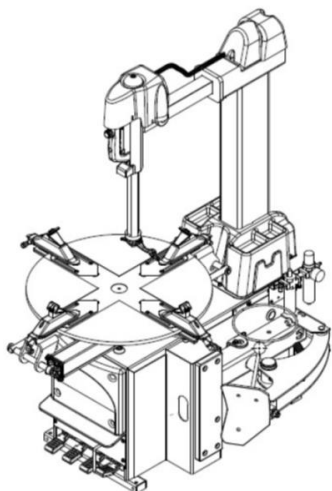
Visit our new web site www.butler.it

Butler INFO

BUTLER ENGINEERING AND MARKETING S.p.A. a socio unico
• 42047 ROLO (RE) • VIA DELL'ECOLOGIA 6
• TEL. 0522-647911 • FAX 0522-649760
• Partita Iva 01741580359 • Capitale sociale Euro 150.000,00 i.v.
• INTERNET WEB SERVER: www.butler.it • E-mail: info@butler.it

HP441S series - Available with 20" or 22" Inch table top.

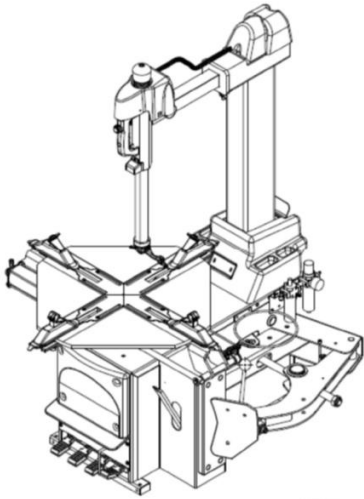
Here below you will find the general features and technical specs.



- 2 speeds upgraded switch (Q version)
- Additional plastic front cover + reinforced plastic covers
- Tool Arm sliding roller for better movement of the horizontal arm
- Pressure regulator filter with gauge
- Stronger 40 mm vertical hexagonal shaft
- Plastic rim tool protections (Clip System)

Motor	0,75 kW - 230/400V (50-60Hz) - 3ph 0,8/1,1 kW - 230/400V (50Hz) - 3ph (Q vs)
Chuck rotation speed (rev/min)	7,3 rpm (basic) 6,5-13 rpm (Q version_2 speed)
Max. torque to chuck	1200 Nm
Self-centering lock (.20):	10"-22,5"
Self-centering lock (.22):	10"-24,5"
Tool working span	8"-24"
Max. tyre diameter	1050 mm (41")
Max. rim width	12"
Weight	221 kg

HP641S series - Available with 22" or 24" Inch table top.
Here below you will find the general features and technical specs.



- 2 speeds upgraded switch (Q version)
- Chucking table 10"-24" (No repositioning function available starting from January 2018)
- Bead breaking arm for balloon wheels
- Reinforced plastic covers
- Pressure regulator filter with gauge
- Plastic rim tool protections (Clip System)

New cabinet 43" diameter

Motor

0,75 kW - 230/400V (50-60Hz) - 3ph
0,8/1,1 kW - 230/400V (50Hz) - 3ph (Q vs)
0,75 kW - 180/260V (50-60Hz) - 1ph (D vs)

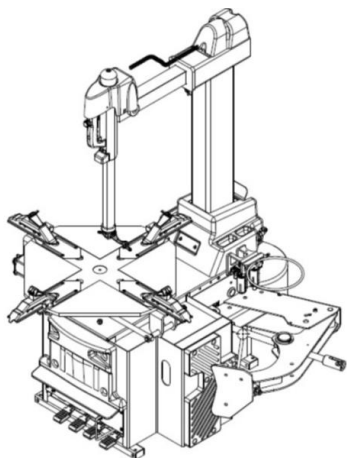
**Chuck rotation speed
(rev/min)**

7,3 rpm (basic)
6,5-13 rpm (Q version_2 speed)
0-16 rpm (D version_invtr)

Max. torque to chuck
Self-centring lock (.22):
Self-centring lock (.24):
Tool working span
Max. tyre diameter
Max. rim width
Weight

1200 Nm
10"-24,5"
10"-26,5"
10"-24"
1095 mm (43")
14"
240 kg

HP643S series - Available with 22" or 26" Inch table top.
 Here below you will find the general features and technical specs.



- 2 speeds upgraded switch (Q version)
- Bead braking arm for balloon wheels
- Reinforced plastic covers
- Pressure regulator filter with gauge
- Plastic rim tool protections (Clip System)
- **Optional:** Left side pedal inflation unit with pressure gauge

Motor

0,75 kW - 230/400V (50-60Hz) - 3ph
 0,8/1,1 kW - 230/400V (50Hz) - 3ph (Q vs)
 0,75 kW - 180/260V (50-60Hz) - 1ph (D vs)

**Chuck rotation speed
 (rev/min)**

7,3 rpm (basic)
 6,5-13 rpm (Q version_2 speed)
 0-16 rpm (D version_inverter)

Max. torque to chuck

1400 Nm

Self-centring lock (.22):

10"-24,5"

Self-centring lock (.26):

10"-28,5"

Tool working span

8"-26"

Max. tyre diameter

1095 mm (43")

Max. rim width

15"

Weight

290 kg

Have a look at the frontpage of the new catalogues:



The catalogues are available for your download at the following links:

https://www.butler.it/wp-content/uploads/2017/09/BUTLER_HP441S-01.pdf

<https://www.butler.it/wp-content/uploads/2016/05/BT-SM-HP641-new-0404.pdf>

<https://www.butler.it/wp-content/uploads/2017/09/BT-SM-HP643S-0108.pdf>

The printed versions will be soon ready.

For commercial or any other information you might need, please do not hesitate to contact our sales team.

Best regards.

Butler Team